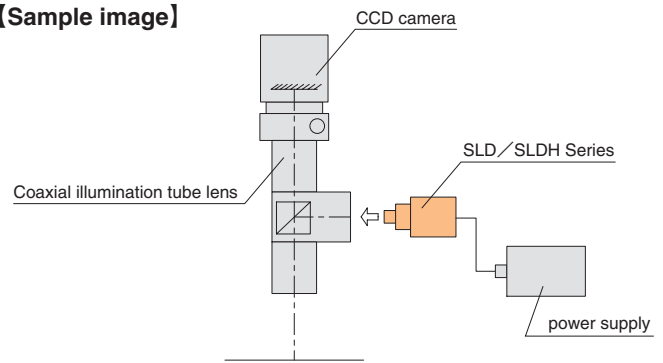


Spot illuminator for Coaxial illumination



[Sample image]



SLDH series

Spot LED is a powerful LED and used for lens magnification higher than 3X. The outer dimension of the illuminator is designed for a maximum of 18mm to facilitate the needs of system integrators. This illuminator is useful not only for coaxial illumination but for spot illumination as well.

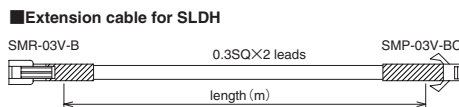
Specification

Model	Number of LED	Consumption of power (W)	color
SLDH-18R	1	1.4	red
SLDH-18W	1	1.4	white

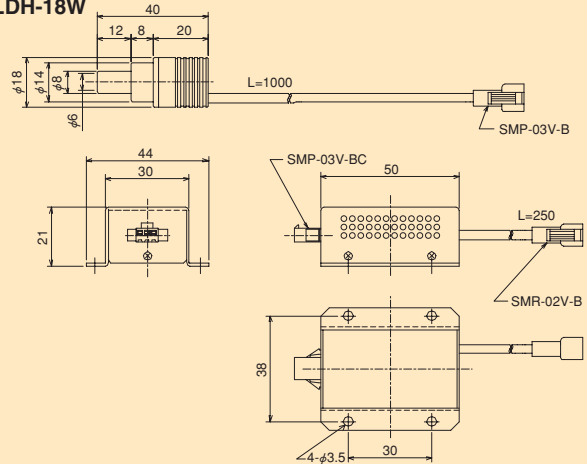
Note : Blue (B) , Green (G) LED are also available.

SLDH extension cable

Model	length
SEC-01-SH	1m
SEC-02-SH	2m
SEC-03-SH	3m
SEC-04-SH	4m
SEC-05-SH	5m



SLDH-18R SLDH-18W



SLD series

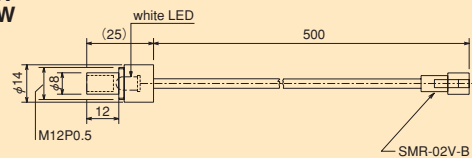
A series of LED illuminators that utilize high-intensity LEDs are used mainly for coaxial illumination systems. Useful for low magnification coaxial lenses which do not require high-intensity illumination.

Specification

Model	Number of LED	Consumption of power (W)	color
SLD-14R	1	0.3	red
SLD-14W	1	0.3	white

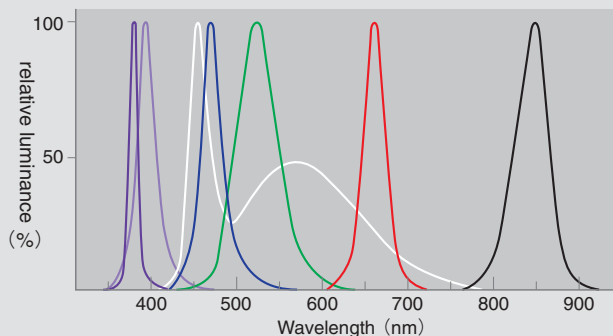
Note : Blue (B) , Green (G) LED are also available.

SLD-14R SLD-14W



Additional note

Spectrum of light



color	peak
white	—
Ultra violet	375nm
Blue	400nm
Green	525nm
Red	660nm
Infra red	850nm