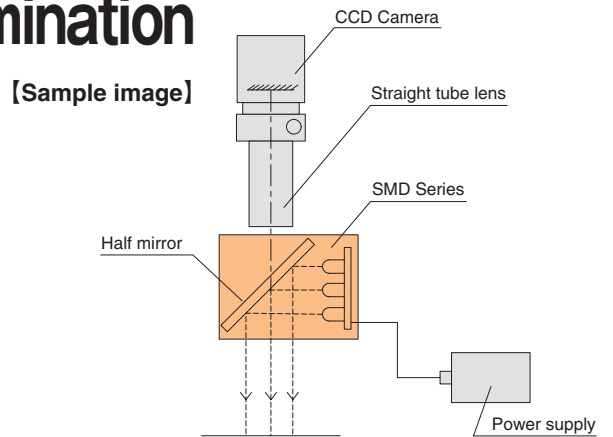


Surface reflection coaxial illumination



SMD series

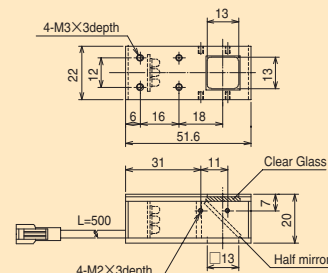
This illuminator can be installed on the front of the lens tube; Useful for lens systems that are not equipped for coaxial illumination or lens systems of low magnification which cover a wide field of view.

Specification

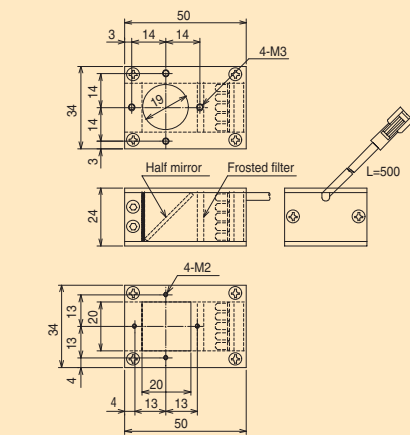
Model#	Number of LED	Power consumption (W)	color
SMD-13R	9	0.8	red
SMD-13W	9	0.8	White
SMD-20R	25	1.2	red
SMD-20W	25	2.2	White
SMD-40R	64	2.7	red
SMD-40W	49	4.1	White
SMD-50R	100	4.8	red
SMD-50W	81	6.5	White
SMD-70R	168	6.8	red
SMD-70W	168	13.5	White

Note : Blue (B) , Green (G) LED are also available.

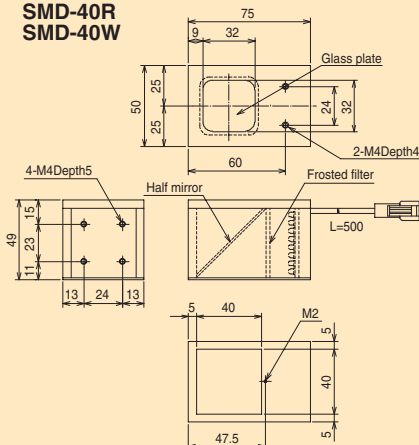
**SMD-13R
SMD-13W**



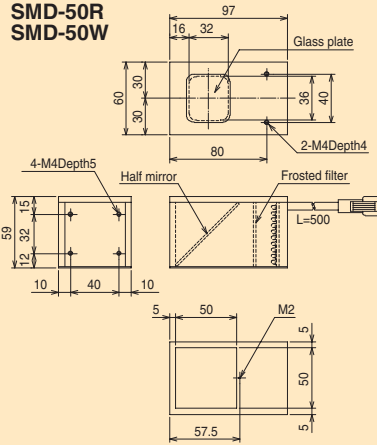
**SMD-20R
SMD-20W**



**SMD-40R
SMD-40W**



**SMD-50R
SMD-50W**



**SMD-70R
SMD-70W**

