

Halogen Light Source

FA-100EN / FA-150EN



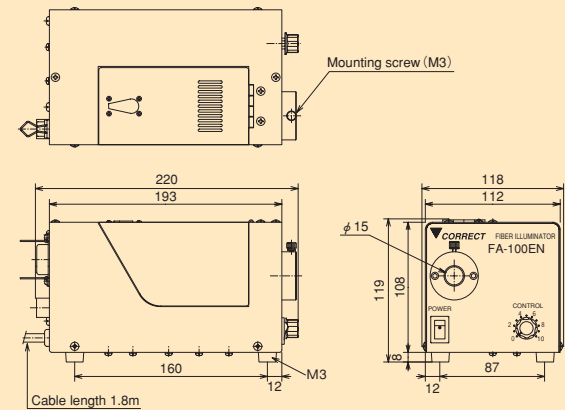
The Halogen Light Source is UL and IEC approved. A short wavelength filter is included for EMC and EMI protection.

Specification

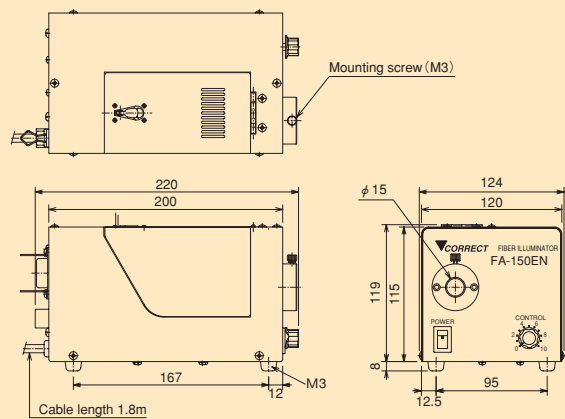
Model	FA-100EN	FA-150EN
Input Voltage	AC100V (Voltage range AC85~132V) 50/60Hz	
Power Consumption	130W	175W
Lamp	JCR12V100W10H, Color temp. 3,100°K ※ Average life / 1,000 hour ※ Average intensity / 35K lux	JCR15V150WH5, Color temp. 3,100°K ※ Average life / 800 hour ※ Average intensity / 40K lux
Light intensity Adjustment	Output voltage variable control DC3.0V~12.0V	2%~100% DC4.5V~14.0V
Output voltage range	Input voltage variation ±10% lamp intensity stability ±3% (Output voltage variation ±0.1%)	
Filter	Onboard cold filter and heat-proof filter	
Cooling	Forced-fan cooling	
Ambient temperature	-10°C~+45°C	
Thermostat	+80°C	
Fuse	AC125V 3A	
Dimensions	H119×W118×D220	H127×W124×D220
Weight	2.2Kg	2.3Kg

※Halogen lamp life and intensity are approximate values.

FA-100EN



FA-150EN

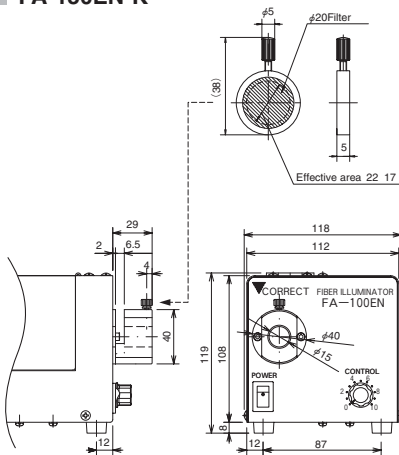


Options

Filter holder

F20 series filters (P30) can be installed

FA-100EN-K FA-150EN-K



Inner Shutter

Lamp On/Off controlled by rotary solenoid driven shutter.

FA-100EN-S24V FA-150EN-S24V

[Method]

The shutter operates when the voltage is provided between pins No.7 (+), and No. 14(-) of remote control connector.

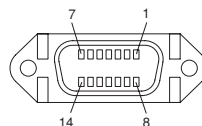
[Note]

Power for operating the shutter must be provided by the customer as follows:

- DC12V type: DC12V/1.0A
- DC24V type: DC24V/0.5A

Connector for shutter

- Housing - 57-40140
- Sockets - 57-30140

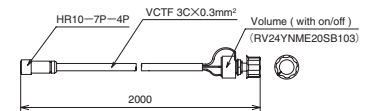
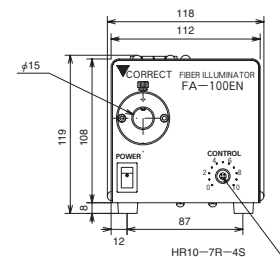


Pin 7- Shutter + voltage
Pin 14- Shutter - voltage

Remote Control

Light intensity can be controlled by remote switch. Volume (with switch)

FA-100EN-M FA-150EN-M



※Cable length can be up to 10m by customizing.