

C-mount Type

FVL65mm series

Coaxial illumination tube / Straight tube

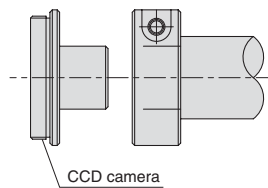
WD=65mm Telecentric bonder lens. This lens is a high-resolution, low distortion lens that is suitable for image processing systems. This lens uses a new C-mount adapter that allows total adjustment to of camera orientation. Choose from a variety of illumination port styles and magnifications.



NEW DESIGN

C-Mount adapter

Camera orientation adjustable.

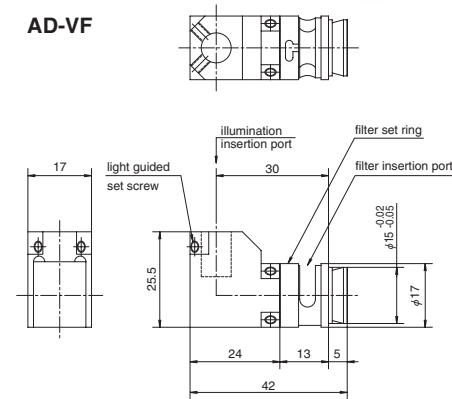


[VF adapter]

Right angle adapter for vertical illumination.



AD-VF

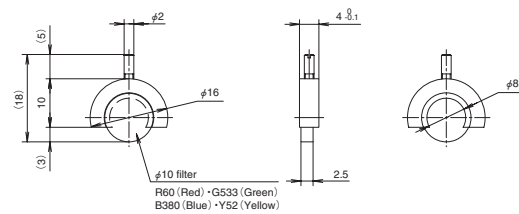


[Filter holder for AD-VF]

Filter holder customized for AD-VF adapter. Please choose from R60, G533, B410 or Y48. For transmission data, please refer to page 30. Other filters are also available.



F10-R60 F10-G533 F10-B410 F10-Y48



■ Specification

Model No.	Coaxial	FVL-0.8X-65D-C	FVL-1X-65D-C	FVL-2X-65D-C	FVL-3X-65D-C	FVL-4X-65D-C	FVL-5X-65D-C	FVL-8X-65D-C
	Straight	FVL-0.8X-65-C	FVL-1X-65-C	FVL-2X-65-C	FVL-3X-65-C	FVL-4X-65-C	FVL-5X-65-C	FVL-8X-65-C
Magnification		0.8X	1.0X	2.0X	3.0X	4.0X	5.0X	8.0X
Working distance		65mm						
Focal depth		1.3mm	920μm	326μm	197μm	131μm	97μm	57μm
Distortion		0.2% or less	0.1% or less	0.1% or less	0.1% or less	0.1% or less	0.1% or less	0.1% or less
Resolution LP/mm		120LP/mm	120LP/mm	178LP/mm	208LP/mm	238LP/mm	238LP/mm	270LP/mm
Resolution power		8.3μm	8.3μm	5.6μm	4.8μm	4.2μm	4.2μm	3.7μm
N.A		0.04	0.04	0.06	0.07	0.08	0.08	0.09
F number		10.1	11.5	16.3	22.2	26.2	30.2	45.6
Camera mount		C-MOUNT						
Equivalent CCD		under 2/3 inch camera						

