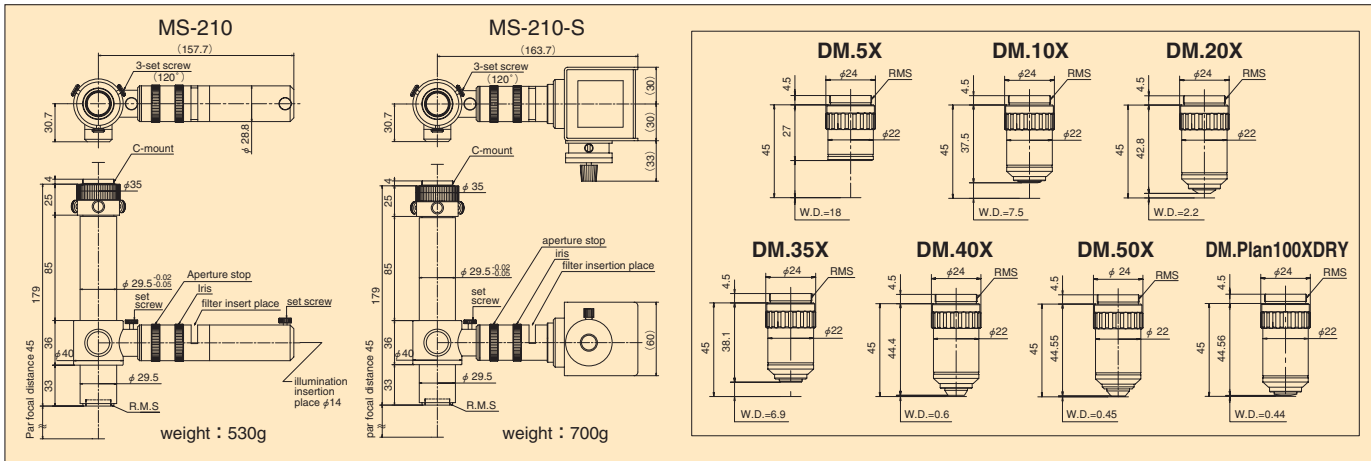


Finite DM series

Coaxial tube lens, Mechanical tube length 210mm (finite) / Objective lens DM series

Series of Finite objective lenses of mechanical tube length of 210mm. Choice of optical Magnification of 5X, 20X, 35X, 40X, 50X, 100X.



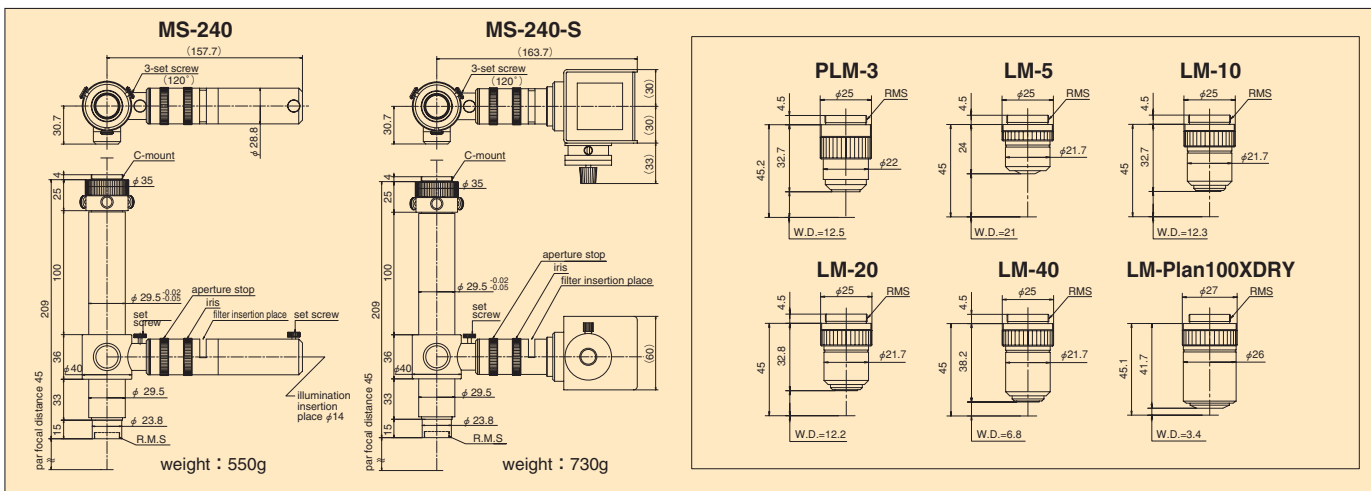
Model#	DM.5X	DM.10X	DM.20X	DM.35X	DM.40X	DM.50X	DM.Plan100XDRY
Magnification	5X	10X	20X	35X	40X	50X	100X
Working distance	18mm	7.5mm	2.2mm	6.9mm	0.6mm	0.45mm	0.44mm
Focal length (f)	37.9mm	22.17mm	11.72mm	6.06mm	5.78mm	4.66mm	2.17mm
N.A	0.10	0.25	0.4	0.45	0.65	0.68	0.9
Resolution	3.4 μm	1.3 μm	0.8 μm	0.7 μm	0.5 μm	0.5 μm	0.4 μm
Focal Depth (±D.F)	27.5 μm	4.4 μm	1.7 μm	1.35 μm	0.7 μm	0.6 μm	0.3 μm
Weight	52g	85g	88g	85g	95g	95g	99g
Accessories	MS-210:F20-W frosted filter / MS-210-S : F20-W frosted filter , spare lamp 7388 (6V20W) / FA-621R power supply (Refer on page 40) 1 each						

Note: Resolution and focal depth of objective lens is calculated using the wavelength of (λ=0.55nm). R=0.61x0.55/N.A Focal depth ±D (μm) = λ / (2 (N.A)²)

Finite LM series

Coaxial tube lens, Mechanical tube length 240mm / long working distance objective lens

Series of finite objective lens of mechanical tube length of 240mm. Working distance is longer than DM series objective lenses.



Model#	PLM-3	LM-5	LM-10	LM-20	LM-40	LM-Plan100XDRY
Magnification	3X	5X	10X	20X	40X	100X
Working distance	12.5mm	21mm	12.3mm	12.2mm	6.8mm	3.4mm
Focal length (f)	78.07mm	53.88mm	22.5mm	11.45mm	6.06mm	2.33mm
N.A	0.07	0.10	0.22	0.30	0.45	0.80
Resolution	4.8 μm	3.4 μm	1.5 μm	1.1 μm	0.7 μm	0.4 μm
Focal Depth (±D.F)	56.2 μm	27.5 μm	5.6 μm	3.0 μm	1.4 μm	0.4 μm
Weight	88g	43g	73g	76g	82g	95g
Accessories	MS-240:F20-W frosted filter / MS-240-S : F20-W frosted filter , spare lamp 7388 (6V20W) / FA-621R power supply (Refer on page 40) 1 each					

Note: Resolution and focal depth of objective lens is calculated using the wavelength of (λ=0.55nm). R=0.61x0.55/N.A Focal depth ±D (μm) = λ / (2 (N.A)²)